



Alain Ellouz
.paris



EMMA[®] US

.édition

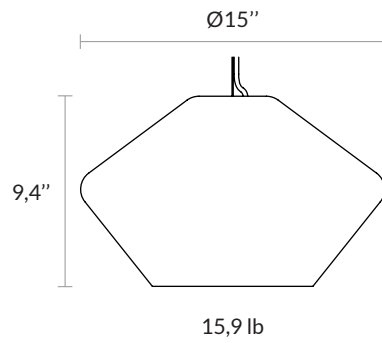


Alain Ellouz
.paris

EMMA[®]

.édition

PENDANT LIGHT



EMMA[®]
DESIGN BY ATELIER ALAIN ELLOUZ
MADE IN FRANCE

MATERIALS	Alabaster
ACCESSORIES	Mat white canopy Ø5,1" 78" stainless steel wire rope with transparent electric cable
SOCKET	E26 Recommended bulb : LED bulb E26 9W 2700K 800lm - Dimmable
REFERENCE	ED-0020 UL certified (also available in European version)
WARRANTY	2 years warranty



Non-contractual pictures